



JES-HS60

Handheld Electrostatic Sprayer

Filter Replacement & Nozzle
Cleaning

USER GUIDE

General Description

Given the bottle is full of liquid during normal spraying, if the spray volume is reduced, the filter may be blocked and it needs to be replaced; if the atomization effect of spray is getting poor or the nozzle does not perform the spraying, the nozzle may be blocked and it needs to be cleaned.

Instructions of Filter Replacement Steps

1. Unscrew the bottle, rinse the outer surface of liquid suction hose and filter with clean water, therefore removing the liquid on suction hose and filter. Add 400mL of clean water to the bottle, install the bottle, turn on the sprayer, and spray clean water to flush the liquid inside the liquid hose.



2. Unscrew the bottle counterclockwise, and pull out the entire suction hose assembly by hand according to the following diagram.



Note

- a. The installation direction is that the fine filter (Part 1) is on the top and the coarse filter (Part 2) is at the bottom (flat ends of coarse filter and fine filter are the liquid inlet, and the flat ends are all facing down).
- b. If the replacement is required, the coarse filter and the fine filter must be replaced at the same time.
- c. Only the filter recommended by the manufacturer can be used, otherwise it will cause poor liquid suction or frequent nozzle blockage, or even reduce the service life of liquid pump.
- d. During the replacement process, always keep hands and parts of suction hose

clean to prevent impurities from affecting the liquid pump performance.

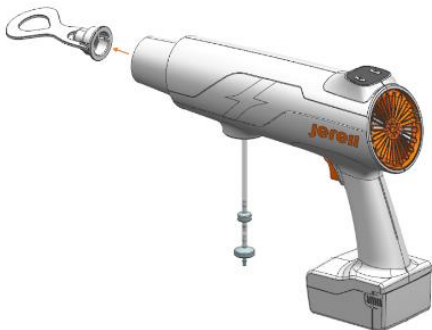


3. Screw on the bottle again, and the filter replacement is completed.

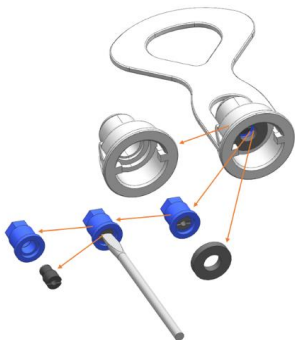


Instructions of Nozzle Cleaning Steps

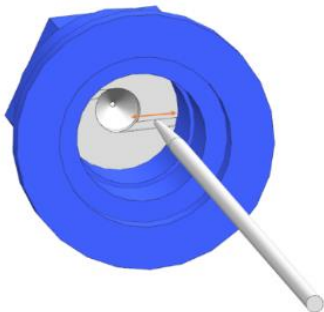
1. Spray clean water for one minute to rinse the liquid in the hose, then take off the bottle; remove the nozzle cap by rotating counterclockwise with the nozzle cap removal tool in accordance with the assembly diagram, and then take out the nozzle.



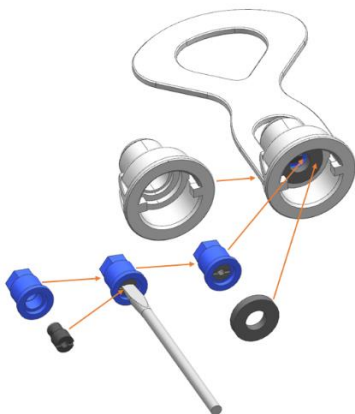
2. In accordance with the assembly diagram, unscrew the nozzle core counterclockwise with a flat-blade screwdriver.



3. Carefully scrape off the debris and stains on the nozzle with a needle, especially those foreign matters in two grooves on the inner side of nozzle. After scraping, rinse the components in the nozzle assembly diagram with clean water.



4. According to the assembly diagram, screw on the nozzle core clockwise with a flat-blade screwdriver.



5. According to the assembly diagram, screw on the nozzle cap onto the sprayer by rotating clockwise with the nozzle cap removal tool.

When replacing, to ensure the sealing effect, make sure that the black rubber pad is coaxial with the nozzle. It is recommended to install the nozzle in the vertical direction of the spray gun as shown below, which makes it easier to achieve that the black rubber pad is coaxial with the nozzle.



6. Screw on the bottle, and the nozzle cleaning is completed.



Note

Always keep hands, components and all appliances clean in abovementioned steps to prevent impurities from affecting the liquid pump performance.