



110 V - 220 V
MISTER

Instruction Manual

KB-15006E (10Ltr)

General:

Before application, customer must read this instruction manual carefully. If any doubt, please contact dealer or our company directly. We are free from any accident due to improper operation.

- 1. Application:** The sprayer has the advantages of high efficiency, uniform droplet, long spray range, supporting with high-performance motor, stable performance, reliable and durable. It is specially applied for **large area spraying operation of greenhouse**. It can also be used for Public sanitation and disinfection, such as airports, docks, hotels, restaurants, hospitals, public transport, theaters, communities, entertainment. As well as food processing, pharmaceutical companies, animal husbandry industry's Disinfection and sterilization, Health and epidemic prevention.
- 2. Structure of product: Illustration shows brief structure.**
- 3. Warning**
 - 3.1 NO direct spraying highly toxic pesticides, undiluted pesticides, banned pesticides and special chemicals. It should comply with the safety instructions provided by the pesticide manufacturers when treating of pesticides.
 - 3.2 On security grounds, the chemical tank can not be added into inflammable and explosive, highly volatile special chemicals, such as gasoline, alcohol, phenylacetone etc. Can not add highly corrosive liquid, such as caustic soda solution, hydrochloric acid etc. In case of injury or fire and other major security incidents. (Warning: Keep the machine dry, wet hands are prohibited to operate the power switch, to avoid electric shock.)
 - 3.3 Warning signs to remind the worker should wear safety protection implements such as protective clothing, gloves, safety glasses and masks.
 - 3.4 The machine can only be operated by a person who is familiar with the performance and operation method of the machine, and has the knowledge of relevant safety operation, the following personnel operation is strictly prohibited :
 - 3.4.1 Children or the elderly.
 - 3.4.2 Drinking or taking stimulants.
- 4. Operation**
 - 4.1 Preparation: plug into power; turn on the power switch to check the motor if running correctly; add the chemical after filtered with the filter funnel, tighten screw the tank lid.
 - 4.2 Power on: turn on the power switch (ON), adjust the spray volume to appropriate requirements, then start to spray.
 - 4.3 Power off: Raise the spray nozzle higher than chemical tank, turn OFF power switch, keeping 2-3 seconds. The purpose is to let the remaining liquid in the pipe reflux into the tank, to avoid the chemicals back up into the pipe and cause the motor moisture damage. Lastly turn off the adjusting nut, to prevent the chemical outflow when adding liquid next time.
 - 4.4 During the sprayer working, the high speed gas flow will cause the gun and pipe heating, it is a normal phenomenon.

5. Use Direction

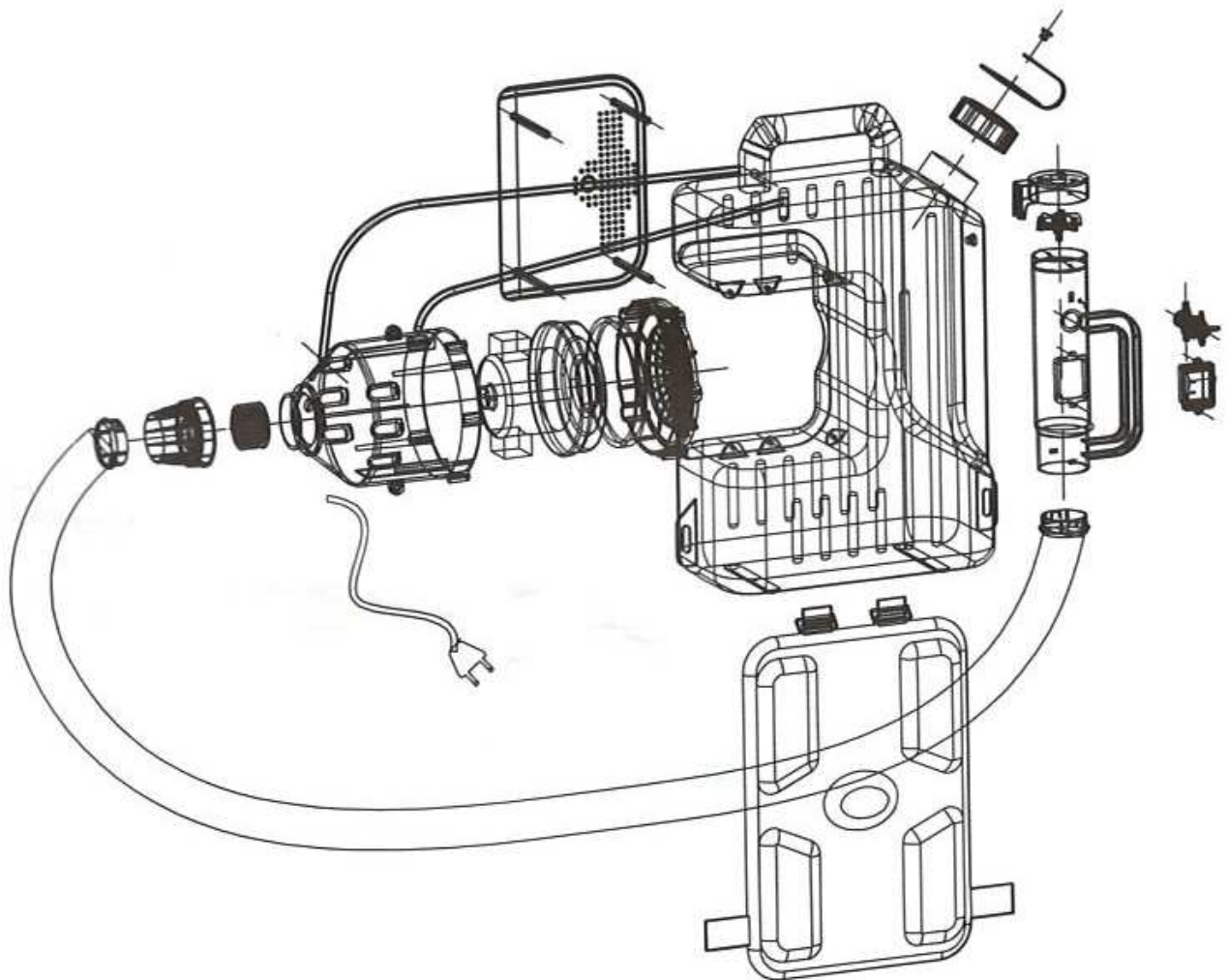
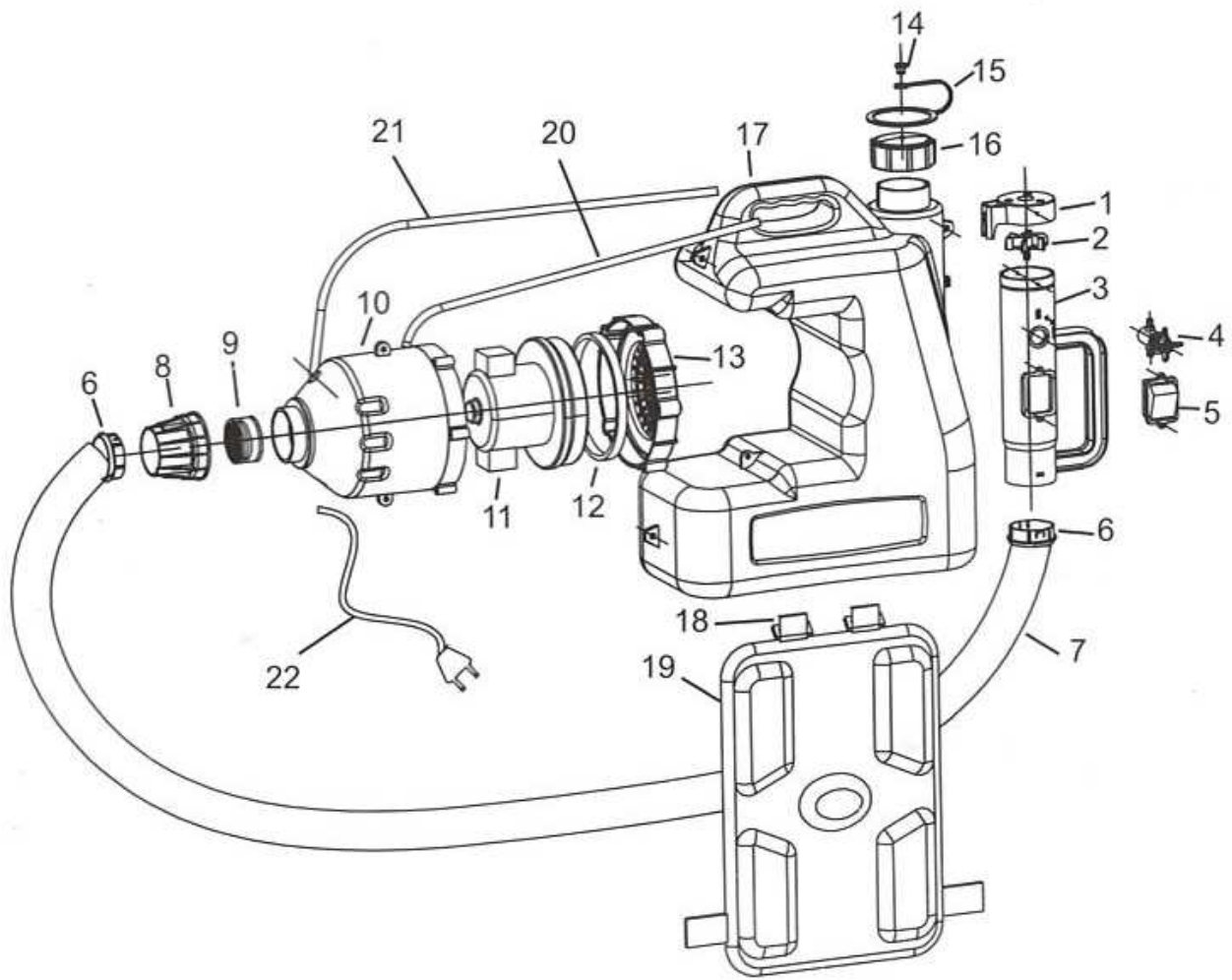
- 5.1 The supply voltage should match the machine's requirements.
- 5.2 Do not make the power wire knotted and pull off forced; Prevent breakage of wire core and circuit broken; Avoid the sharp objects to scratch the cable insulation layer and cause leakage.
- 5.3 Do not make the pipe folded and extruded, avoid the metal or other sharp objects puncture the pipe.
- 5.4 Do not turn on and off power switch frequently, avoid damage the switch and motor. When there are abnormal sound or small during working, shut down immediately, cut off the power, and contact professional personnel to repair. If can not resolve the problem locally, please contact our company directly, non-professionals is strictly prohibited disassemble.
- 5.5 If not using for long time under the high humidity environment or in hot and rainy season, it should always turn on for warm-up to eliminate humidity, prevent internal corrosion damage.
- 5.6 If not using for long time, please keep in dry and cool place, do not let children play with the machine, to avoid danger.
- 5.7 Keep the machine dry, wet hands are prohibited to operate the power switch, to avoid electric shock.
- 5.8 When the machine is placed to add liquid chemical, avoid dumping, particular attention during transportation.
- 5.9 After spraying the chemicals, please clean the machine with water. If spraying the herbicide, please add detergent to clean completely. When finish spraying, the sprayer should be clean and keep in a cool dry place to prevent direct sunshine and accelerated plastic aging.

6. Technical Specification

| Item No. | KB-15003E | KB-15002E | KB-15006E |
|---------------------|-----------------------|------------|---------------|
| Tank Capacity | 16L (4Gal) | 12L (3Gal) | 10L (2-½ Gal) |
| Packing size | 43x20x53cm | 39x20x43cm | 44x22.5x48cm |
| Net Weight | 4.6 Kgs | 3.5 Kgs | 4.7 Kgs |
| Gross Weight | 5.4 Kgs | 4.3 Kgs | 5.5 Kgs |
| Rated Voltage | 110V-220V/50Hz-60Hz | | |
| Motor Power | 1400W | | |
| Particle Size | 0-50 μ m (Adjustable) | | |
| Max Flow Rate | 750 ML/min | | |
| Horizontal Coverage | 5 to 6 Meter | | |
| Vertical Coverage | 1.5 to 2 Meter | | |

7. Problem and Solution

| Problem | Reasons | Solution |
|--|--|--|
| Fan not running. | <ol style="list-style-type: none"> 1. Power plug loosed, poor contacted or power wire copper core broken. 2. Power switch fault. 3. Motor fault. 4. Motor carbon brush rust or run out. | <ol style="list-style-type: none"> 1. Check power plug, socket or power wire cord. 2. Check or replace the power switch. 3. Check and repair the motor. 4. Check or replace the motor brush. |
| Machine run, no spray. | <ol style="list-style-type: none"> 1. Liquid transfer pipe or valve blocked. 2. Liquid transfer pipe or intake pipe folded. 3. Liquid transfer pipe fell off. 4. Intake pipe is blocked. | <ol style="list-style-type: none"> 1. Clean up or replace. 2. Check and correct. 3. Reset the liquid transfer pipe. 4. Clean up the intake pipe. |
| Intermittent spray, small spray. | Liquid transfer pipe is blocked/folded/damaged/ fell off. | Clean up/Correct/Replace/Reset the Liquid transfer pipe. |
| Machine abnormal sounds. | <ol style="list-style-type: none"> 1. The intake pipe blocked. 2. Motor bearing damaged or carbon brush run out. | <ol style="list-style-type: none"> 1. Clean up the intake pipe. 2. Repair or replace the motor. |
| Poor atomization, spray nozzle dripping. | <ol style="list-style-type: none"> 1. Adjusting nut turned too large. 2. The intake pipe blocked. | <ol style="list-style-type: none"> 1. Turn down the adjusting nut. 2. Clean up the intake pipe. |
| Sprayer temperature too high. | <ol style="list-style-type: none"> 1. Continuous working too long. 2. Supply voltage not match. 3. The intake pipe blocked. 4. The motor seriously worn. | <ol style="list-style-type: none"> 1. Stop working for a while. 2. Select correct voltage. 3. Clean up the intake pipe. 4. Repair or replace the motor. |



| S/N | NAME | S/N | NAME |
|-----|-------------------------|-----|--------------------------|
| 1 | Wind scooper | 12 | Sealing gasket for motor |
| 2 | Air guide | 13 | Motor cover |
| 3 | Handle | 14 | Buckle |
| 4 | On/off Chemical valve | 15 | Anti-drop tape |
| 5 | On/off Power switch | 16 | Tank lid |
| 6 | Sealing gasket for hose | 17 | Chemical tank |
| 7 | Protective hose | 18 | Shoulder strap |
| 8 | Hose joint | 19 | Back cushion |
| 9 | Hose plug | 20 | Intake pipe |
| 10 | Motor hood | 21 | Liquid transfer pipe |
| 11 | Motor | 22 | Power cable |



**KB-15006E
(10 Liter)**

For any inquiries, please contact:

Vital Lab Solutions Inc.

7658 Winston Street

Burnaby, BC

Canada

V5A 2H4

Telephone: 604-399-4102

Email: info@vitallabsolutions.ca

www.vitallabsolutions.ca